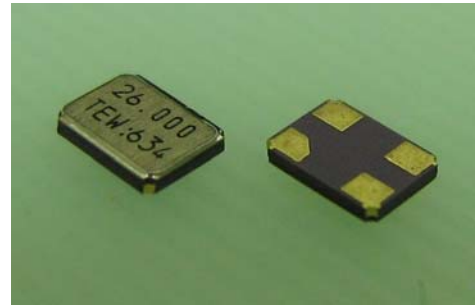


Package : TAS-3225J

Miniature Surface Mount Crystal

■ Feature

- Small footprint ,reduced height (3.2×2.5, 0.55±0.05).
- Hermetically sealed - [Gold-Tin(Au-Sn) methodology]
- High Reflow Temperature Tolerant.
- RoHS compliant - Lead Free
- Frequency starting from 13MHz.



■ Applications CellularPhones,NFC,Bluetooth,WLAN Zigbee

■ Standard Specifications

Characteristic	Value
Size (mm)	3.2×2.5, 0.55t±0.05t
Overtone Order	Fundamental
Frequency Range (MHz)	13 ~ 60 (See Table 1)
Equivalent Series Resistance (Ω)	60max. to 120max.
Drive Level (μWatts)	30, 50
Operating Temperature Range	See Table 2
Frequency Temperature Characteristics (in reference to 25 °C)	See Table 2

■ Table 1 Typical Frequencies

Frequency (MHz) - ESR	
13.000[ESR=120 Ω max]	14.400[ESR=100 Ω max]
16.000[ESR=80 Ω max]	19.200[ESR=60 Ω max]
19.680[ESR=60 Ω max]	19.800[ESR=60 Ω max]
24.000[ESR=60 Ω max]	26.000[ESR=60 Ω max]
32.000[ESR=60 Ω max]	36.000[ESR=60 Ω max]
40.000[ESR=60 Ω max]	44.000[ESR=60 Ω max]

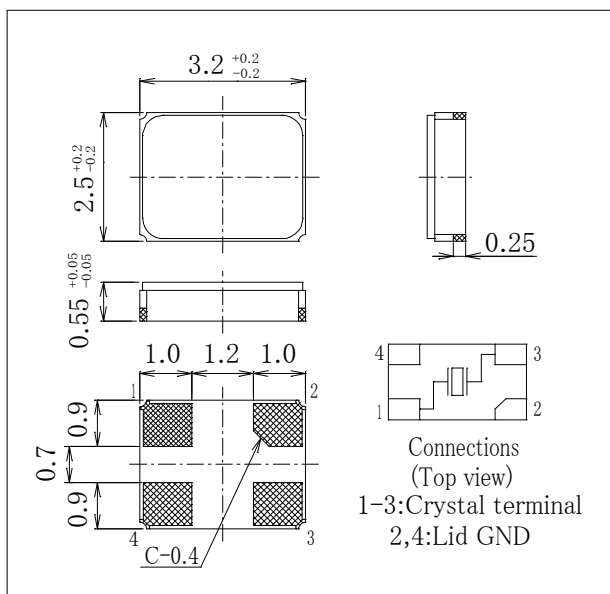
■ Table 2 Frequency vs. Temperature Characteristics

Temperature Range	Temperature Characteristics(ppm)	Frequency Tolerance(ppm@25°C)
-10 to 60 °C	±5 max	±10 max., ±20 max. (25 °C ± 3°C)
-20 to 70 °C	±10 max	
-30 to 85 °C	±15 max	

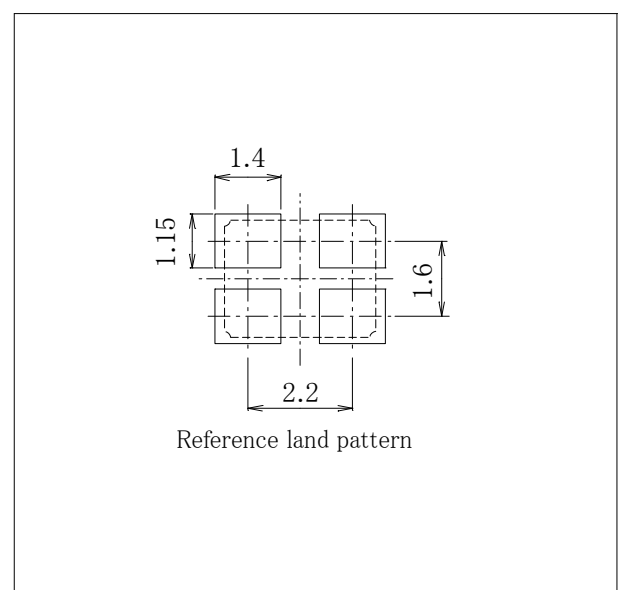
Note :

Modified specifications are available upon request for specific applications.

■ Outline Dimensions



■ Reference Land Patterns



The ordering number will be obtained separately by customer's requirement.

 TEW AMERICA, INC.,

<http://www.tewamerica.com>

Specifications subject to change without notice. Jan / 2011