

Package : TAS-2520F

Ultra Miniature Surface Mount Crystal

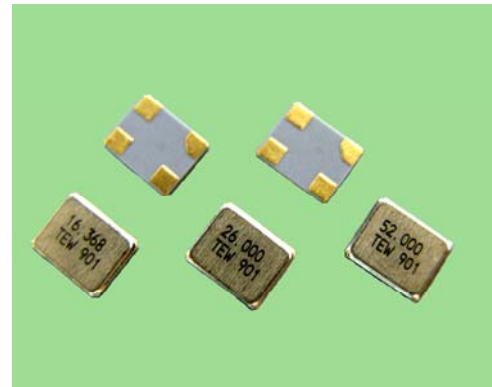
■ Feature

- Minimal footprint , low profile (2.5×2.0, 0.45±0.05).
- Hermetically sealed - [Gold-Tin(Au-Sn) methodology]
- High Reflow Temperature Tolerant.
- RoHS compliant - Lead Free

■ Applications GPS and WiMAX

■ Standard Specifications

Characteristic	Value
Size (mm)	2.5×2.0, 0.45t±0.05t
Overtone Order	Fundamental
Frequency Range (MHz)	16 to 52 (See Table 1)
Equivalent Series Resistance (Ω)	50max. to 80 max.
Drive Level (μWatts)	10,30
Operating Temperature Range	See Table 2
Frequency Temperature Characteristics (in reference to 25 °C)	See Table 2



■ Table 1 Typical Frequencies

Frequency (MHz) - ESR	
16.368[ESR=80 Ω max]	
26.000[ESR=50 Ω max]	
52.000[ESR=50 Ω max]	

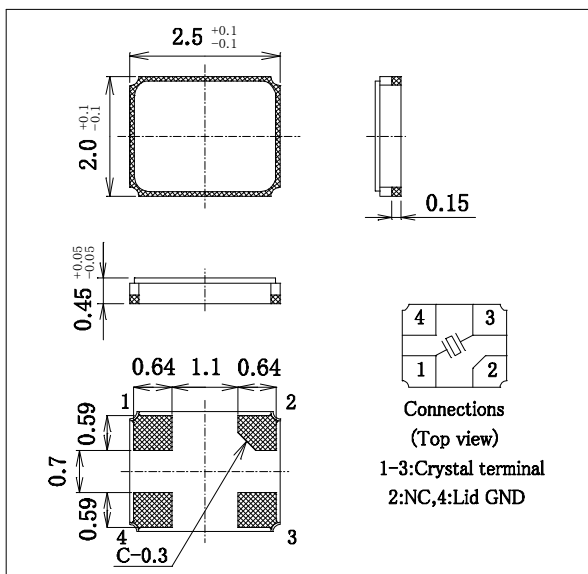
■ Table 2 Frequency vs. Temperature Characteristics

Temperature Range	Stability(ppm)	Frequency Tolerance(ppm@25°C)
-10 to +60 °C	±5 max.	±10 max. , ±20 max (25 °C ± 3°C)
-20 to +70 °C	±10 max.	
-30 to +85 °C	±15 max.	

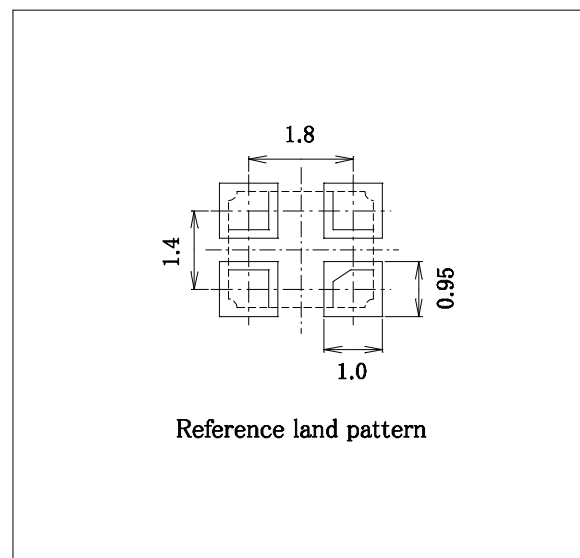
Note :

Modified specifications are available upon request for specific applications.

■ Outline Dimensions



■ Reference Land Patterns



The ordering number will be obtained separately by customer's requirement.