

Package : TAS-2016C

Low-Profile Surface Mount Crystal

■ Feature

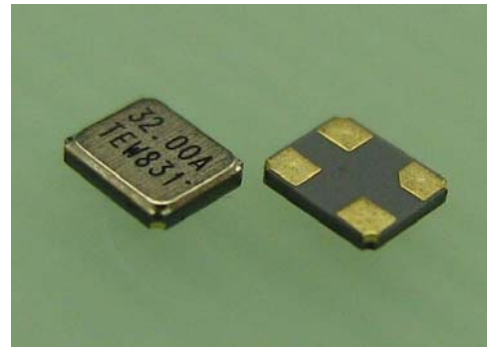
- Ultra small footprint , low profile (2.0×1.6, 0.40t max.).
- Hermetically sealed - [Gold-Tin(Au-Sn) methodology]
- High Reflow Temperature Tolerant.
- RoHS compliant - Lead Free

■ Applications

NFC, Bluetooth, WLAN

■ Standard Specifications

Characteristic	Value
Size (mm)	2.0×1.6, 0.35t±0.05t
Overtone Order	Fundamental
Frequency Range (MHz)	26 to 60 (See Table 1)
Equivalent Series Resistance (Ω)	50max. to 80 max.
Drive Level (μWatts)	10, 30
Operating Temperature Range	See Table 2
Frequency Temperature Characteristics (in reference to 25 °C)	See Table 2



■ Table 1 Typical Frequencies

Frequency (MHz) - ESR	
26.000[ESR=80 Ω max]	27.000[ESR=80 Ω max]
30.000[ESR=80 Ω max]	30.400[ESR=60 Ω max]
32.000[ESR=60 Ω max]	35.400[ESR=60 Ω max]
36.000[ESR=60 Ω max]	38.400[ESR=60 Ω max]
40.000[ESR=60 Ω max]	44.000[ESR=60 Ω max]
48.000[ESR=50 Ω max]	

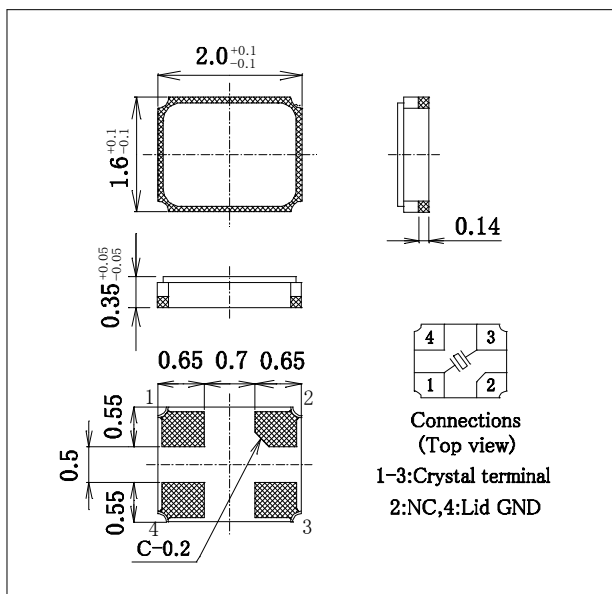
■ Table 2 Frequency vs. Temperature Characteristics

Temperature Range	Stability (ppm)	Frequency Tolerance (ppm@25°C)
-10 to +60 °C	±5 max.	±20 max. (25 °C ± 3°C)
-20 to +70 °C	±10 max.	
-30 to +85 °C	±15 max.	

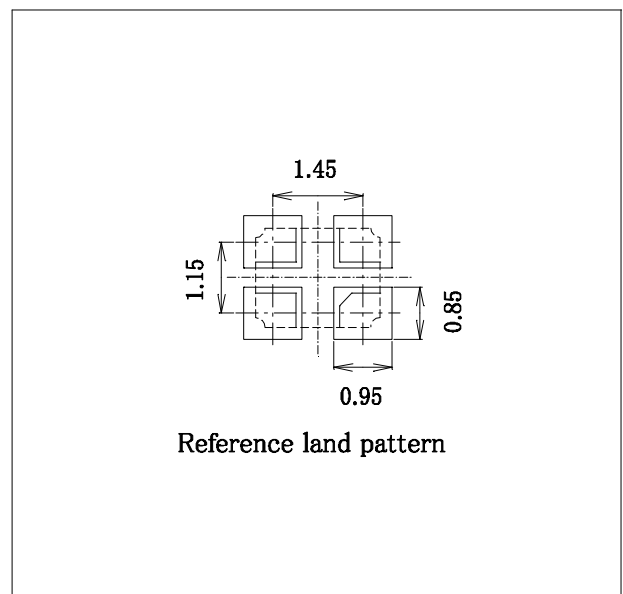
Note:

Modified specifications are available upon request for specific applications.

■ Outline Dimensions



■ Reference Land Patterns



The ordering number will be obtained separately by customer's requirement.